

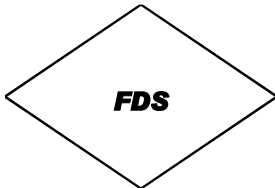
**IMPORT SHIPPABLE INNER CARTON MARKINGS/SHIPPING MARKS**  
**(Applicable only if Buyer requires shippable inner cartons)**

**Family Dollar**

Cartons containing liquids or fragile items must include arrows indicating proper carton orientation (this side up) and should be marked "**Fragile**" if applicable.

Please place the appropriate "Limited Quantities" HAZMAT label if product is subject to those requirements.

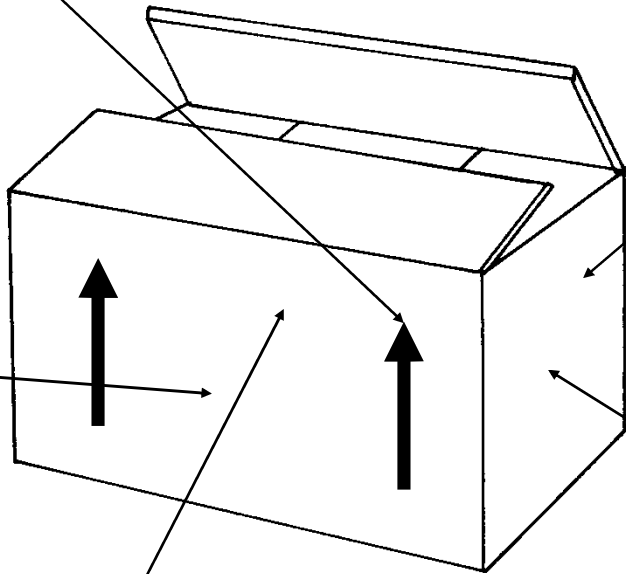
**TWO LONGER SIDES (WIDE)**

  
**FDS**

STYLE NO. \_\_\_\_\_

DEPT. NO. \_\_\_\_\_

MADE IN : \_\_\_\_\_



**TWO SHORTER SIDES (END)**

SELLING UNIT UPC NO. \_\_\_\_\_

FDS SKU NO. \_\_\_\_\_

DESCRIPTION \_\_\_\_\_

INNER-PACK QTY \_\_\_\_\_ PCS

COLOR \_\_\_\_\_

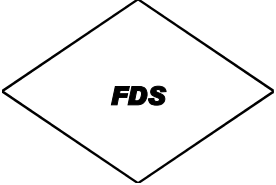
Cartons for seasonal merchandise should also be marked according to the season (i.e., Christmas merchandise should be marked "**CHRISTMAS MERCHANDISE RUSH TO SALES FLOOR**")

**\*Slight adjustments to the placement of the above markings may be necessary to fit all required data on smaller sized cartons. Contact the Import Department for change authorization.**

# IMPORT MASTER CARTON MARKINGS/SHIPPING MARKS

## Family Dollar

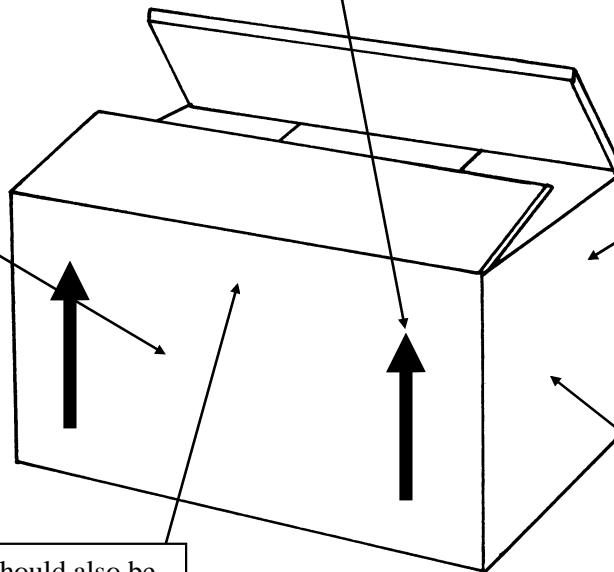
### TWO LONGER SIDES (WIDE)

  
**FDS**

STYLE NO. \_\_\_\_\_  
DEPT. NO. \_\_\_\_\_  
MADE IN \_\_\_\_\_  
CARTON NO. \_\_\_\_\_ OF \_\_\_\_\_

Cartons containing liquids or fragile items must include arrows indicating proper carton orientation (this side up) and should be marked "**Fragile**" if applicable.

Please place the appropriate "Limited Quantities" HAZMAT label if product is subject to those requirements.



### TWO SHORTER SIDES (END)

SELLING UNIT UPC NO. \_\_\_\_\_  
FDS ORDER NO. \_\_\_\_\_  
FDS SKU NO. \_\_\_\_\_  
DESCRIPTION \_\_\_\_\_  
TOTAL MASTER CARTON QTY. \_\_\_\_\_ PCS  
INNER-PACK QTY \_\_\_\_\_ PCS  
TOTAL INNER-PACKS \_\_\_\_\_  
NET WT \_\_\_\_\_ LBS  
GROSS WT \_\_\_\_\_ LBS  
MEASURE \_\_\_\_\_ IN  
CUBE \_\_\_\_\_ CFT  
COLOR \_\_\_\_\_

Cartons for seasonal merchandise should also be marked according to the season (i.e., Christmas merchandise should be marked "**CHRISTMAS MERCHANDISE RUSH TO SALES FLOOR**")

**\*Slight adjustments to the placement of the above markings may be necessary to fit all required data on smaller sized cartons and master cartons designed to be the selling carton. Contact the Import Department for change authorization.**